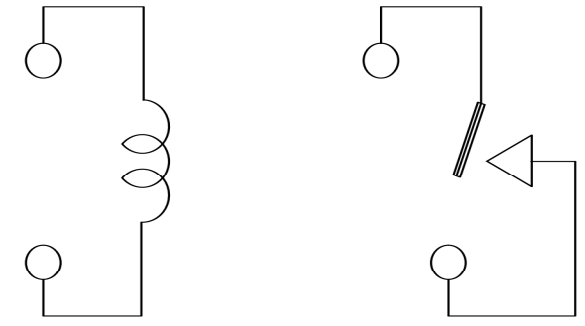
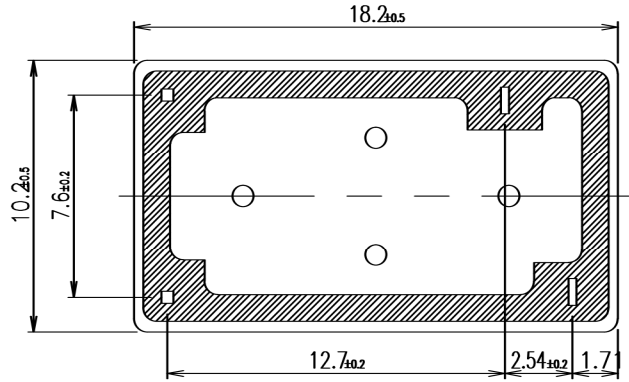
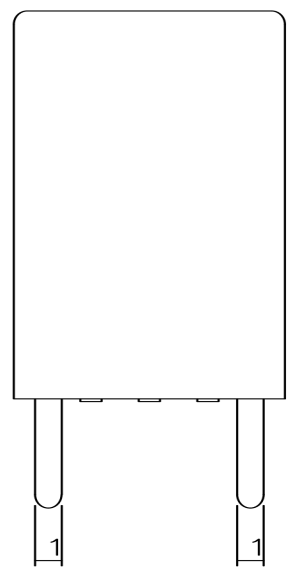
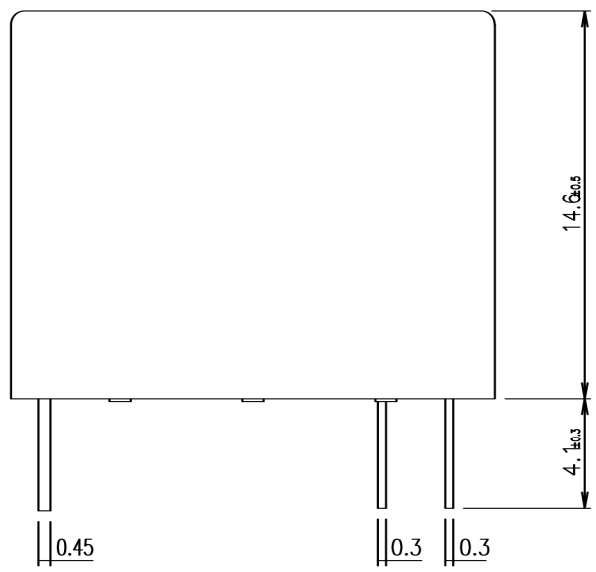
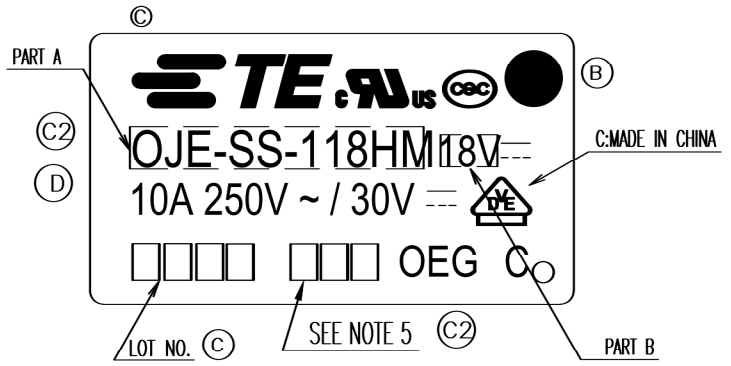


THIS DRAWING IS UNPUBLISHED. RELEASED FOR PUBLICATION
 © COPYRIGHT By - TE CONNECTIVITY ALL RIGHTS RESERVED.

LOC	DIST	REVISIONS			
P	LTR	DESCRIPTION	DATE	DWN	APVD
HB	-				
	D	REMOVED CSA&OPTIMIZATION SSA RATING&USING WELDED CONTACT ECO-13-017354	14Feb2014	Y.S.H	B.F



CONNECTION FIGURE

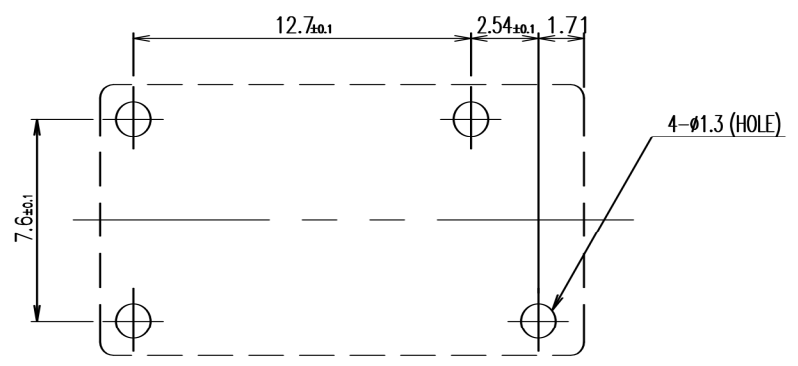


FIGURE FOR PRINTED CIRCUIT BOARD PROCESSING (BOTTOM VIEW)

THIS DRAWING IS A CONTROLLED DOCUMENT.		DWN	H.Sasaki	TE Connectivity	
DIMENSIONS: mm		CHK	Y.Oikawa	NAME	
TOLERANCES UNLESS OTHERWISE SPECIFIED:		APVD	A.Nagai	PRODUCT SPEC	
0 PLC ± .		APPLICATION SPEC	-	OJ-SH-HM SPEC,000 CUSTOMER DRAWING	
1 PLC ± .		WEIGHT	-	SIZE	A3
2 PLC ± .		FINISH		CAGE CODE	00779
3 PLC ± .		MATERIAL		DRAWING NO	1461405
4 PLC ± .		MATERIAL		RESTRICTED TO	-
ANGLES ± .		MATERIAL		SCALE	5:1
FINISH		MATERIAL		SHEET	1 OF 2
MATERIAL		MATERIAL		REV	D

THIS DRAWING IS UNPUBLISHED.

RELEASED FOR PUBLICATION

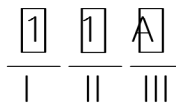
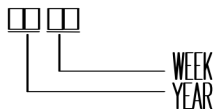
© COPYRIGHT By - TE CONNECTIVITY

ALL RIGHTS RESERVED.

LOC	DIST	REVISIONS			
P	LTR	DESCRIPTION	DATE	DWN	APVD
-	-	SEE SHEET 1	-	-	-

1461405-4	OJ-SH-148HM, 000	107-79010	48V	OJ-SH-148HM	g
1461405-6	OJ-SH-124HM, 000	107-79010	24V	OJ-SH-124HM	f
1461405-5	OJ-SH-112HM, 000	107-79010	12V	OJ-SH-112HM	e
1461405-2	OJ-SH-109HM, 000	107-79010	9V	OJ-SH-109HM	d
1461405-1	OJ-SH-106HM, 000	107-79010	6V	OJ-SH-106HM	c
1461405-3	OJ-SH-105HM, 000	107-79010	5V	OJ-SH-105HM	b
1461405-7	OJ-SH-103HM, 000	107-79010	3V	OJ-SH-103HM	a
PART NO	DESCRIPTION	PACKAGE SPEC.	PART B	PART A	TYPE

①② NOTES:
 1.LOT NO. SYSTEM AS FOLLOWING: ②5.ADD LOT NO. SYSTEM AS FOLLOWING;



I, DIGITS FOR DAY OF THE WEEK
 1...MONDAY IN THIS WEEK;
 2...TUESDAY IN THIS WEEK;

 7...SUNDAY IN THIS WEEK

II, DIGITS FOR SHIFT OF THE DAY
 1...DAY SHIFT IN THIS DAY;
 2...NIGHT SHIFT IN THIS DAY;

III, ONE CHARACTER DISTINGUISH THE LINE
 IDENTITY,
 SUCH AS: A,B.....Z

② 2.TERMINAL DIMENSION IS BEFORE SOLDER DIP;

② 3.FOR THE TIN-PLATING OF THE PINS:
 +0.1mm FOR WIDTH, THICKNESS AND DIAMETER.
 +0.5mm FOR LENGTH.

①② 4.MARKING FROM INK TO LASER AND WELDED CONTACT

Diagram dimension	Tolerance
0.99mm max.	±0.1mm
1 - 2.99mm	±0.2mm
3mm min.	±0.3mm

RELAY TYPE

INCOMBUSTIBILITY	TREATMENT	MATERIAL	DESCRIPTION	ITEM
		UV RESIN	SEAL (VENT HOLE)	16
		EPOXY RESIN	SEAL (BASE & BOBBIN)	15
		3UEW	MAGNETIC WIRE	14
94V-0		P.B.T	CASE	13
94V-0		P.B.T	BASE	12
94V-0		P.B.T	BOBBIN	11
	SOLDER DIP	C.P WIRE	COIL TERMINAL	10
94V-0		P.P.S	CARD	9
		Ag ALLOY	MOVABLE CONTACT	8
		Ag	NO.CONTACT	7
		STEEL	HINGE SPRING	6
	SOLDER DIP	PBP	NO.TERMINAL	5
	SOLDER DIP	Cu ALLOY	MOVABLE SPRING	4
	NIP	STEEL	CORE	3
	NIP	STEEL	ARMATURE	2
	NIP	STEEL	YOKE	1

THIS DRAWING IS A CONTROLLED DOCUMENT.		DWN H.Sasaki		
DIMENSIONS: mm		CHK Y.Oikawa		
TOLERANCES UNLESS OTHERWISE SPECIFIED:		APVD A.Nagai	NAME	
		PRODUCT SPEC -	OJ-SH-HM SPEC,000 CUSTOMER DRAWING	
MATERIAL		APPLICATION SPEC -	RESTRICTED TO	
FINISH		WEIGHT -	SIZE A3	CAGE CODE 00779
		DRAWING NO 1461405		
CUSTOMER DRAWING		SCALE 5:1	SHEET 2 OF 2	REV D